

080-0200  
Lever Style  
Compression Latch



This product is designed for light to medium duty compartment doors, access panels and hoods for off-highway vehicle applications. This lever action fixed grip compression latch offers a long lever handle for increased door closing leverage, simplicity of operation and comfortable grip.

**FEATURES/BENEFITS:**

- Two hook design works with strikers up to 10mm in diameter providing a high level of resistance to vibration and wear
- Over-center action prevent accidental opening due to shock or vibration
- 4mm compression dampens vibration and helps reduce noise and rattle
- Stylish handle cover provides a comfortable grip

**Global Locations:**

**TriMark Corporation**  
500 Bailey Avenue  
P.O. Box 350  
New Hampton, Iowa 50659  
United States  
Tel: 641-394-3188  
Fax: 641-394-2392  
1-800-447-0343  
www.trimarkcorp.com

**TriMark Europe**  
Cedar Court  
Walker road  
Bardon Hill  
Coalville LE67 1TU  
United Kingdom  
Tel: +44(0)1530 512460  
Fax: +44(0)1530 512461  
www.trimarkeu.com

**TriMark (Xuzhou)**  
Building A5 Jingwu Road  
Xuzhou Economic  
Development Zone  
Xuzhou, Jiangsu  
221004 PR China  
Tel: +86 516 8773 0018  
Fax: +86 516 8773 0058  
www.trimarkcn.com



TriMark. Interactive. Product. Selector



TriMark



TriMark Corporation

**AVAILABLE:**

- 8mm padlock hasp
- Key locking provision to add a cam lock for increased security

**MATERIAL:**

- Robust all steel reinforced construction
- Handle cover: Black engineered plastic
- Springs: Stainless steel

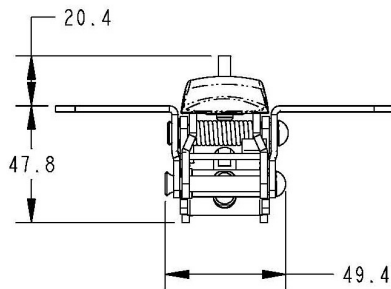
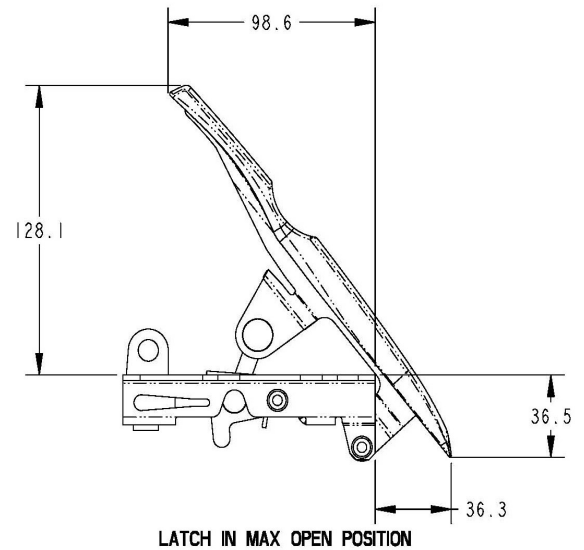
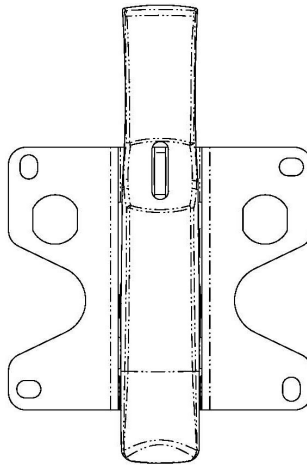
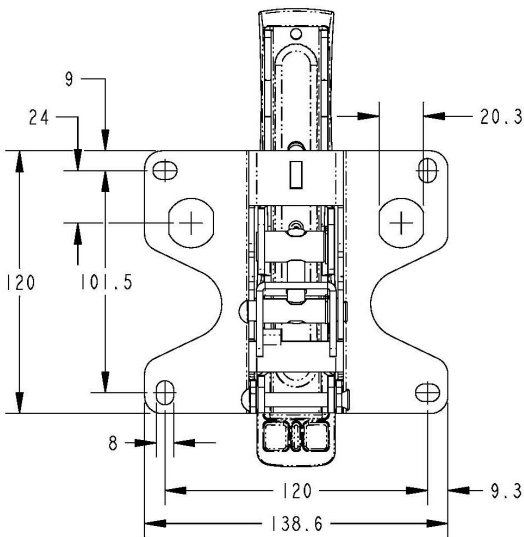
**FINISH:**

- Black zinc plated

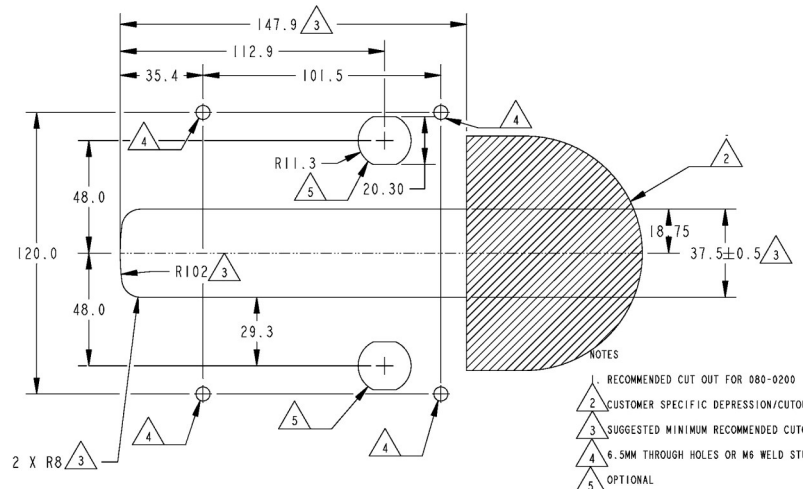
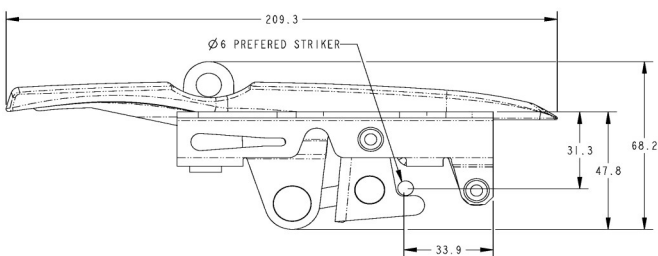
**INSTALLATION:**

- (4) M6 or 1/4" fasteners (not included)
- Latch mounts from inside of door panel providing a clean exterior appearance
- Optional lock cylinder may be installed after the latch has been assembled into the door (not included)

Individual part dimensions are for reference only. Refer to individual part drawings for complete dimensions, specifications, and installation procedures. Engineering assistance and application drawings are available.



For more information visit  
[www.trimarkcorp.com](http://www.trimarkcorp.com)



- NOTES
1. RECOMMENDED CUT OUT FOR 080-0200
  2. CUSTOMER SPECIFIC DEPRESSION/CUTOUT AREA
  3. SUGGESTED MINIMUM RECOMMENDED CUTOUT
  4. 6.5MM THROUGH HOLES OR M6 WELD STUDS RECOMMENDED
  5. OPTIONAL